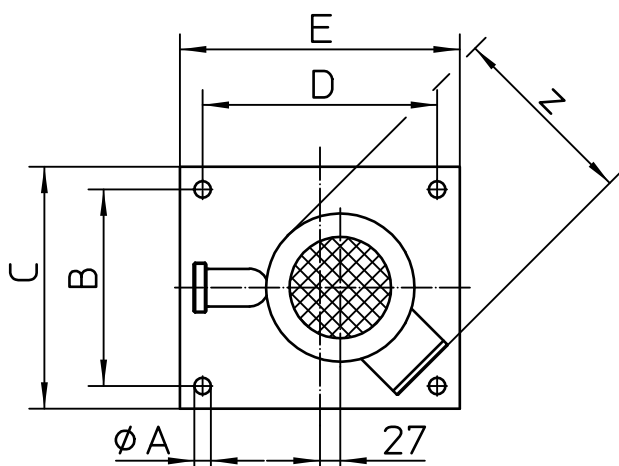
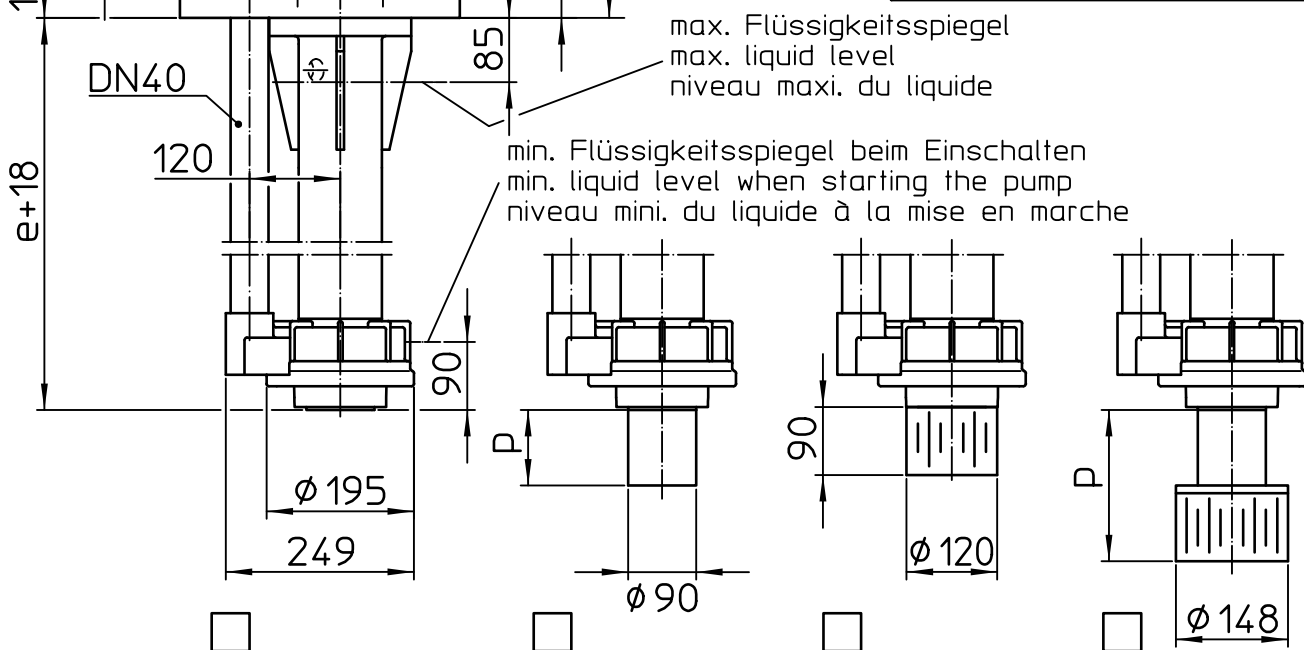


Motor Moteur		kW
n=		min ⁻¹
x=		mm
ϕy =		mm
z=		mm
e=		mm
p=		mm
ϕA =		mm
B=		mm
C=		mm
D=		mm
E=		mm



Einbaumaße:
Mounting dimensions:
Dimensions de montage:

