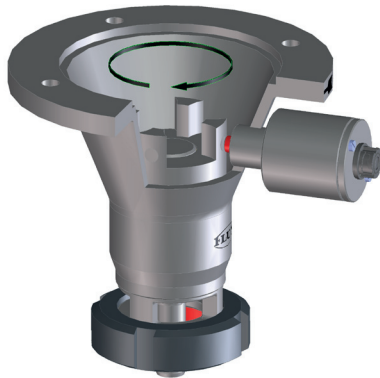


### Bearing flange with impulse generator



#### Advantages/characteristics:

- ▶ Allows indirect volume measurement to be taken without contact with the material
- ▶ Especially for eccentric worm-drive pumps series F 550 and F 560 with bearing flange
- ▶ Theoretical accuracy +/- 1 pulse per measurement
- ▶ Also for use in the Pharma, Food and Cosmetic industry
- ▶ Suitable in all cases where frequent cleaning is essential
- ▶ Media examples: grease, tomato paste, vaseline, caramelcreme, polymer latex
- ▶ Combined with FLUXTRONIC® + amplifier, control unit or SPS-batch processing possible
- ▶ Protection class IP 65

#### Technical datas

|                                 |                               |
|---------------------------------|-------------------------------|
| Connection outer tube F 550     | G 2                           |
| Connection outer tube F 560     | Rd 65 x 1/6                   |
| Ø bearing flange                | 160 mm                        |
| Pulse cable                     | 5 m                           |
| Connection bearing flange       | 4-pole cable connector CA3 LS |
| Connection e.g. on control unit | 5-pole connector              |
| Reed-sensor                     | Magnetically actuated         |
| Number of pulses per revolution | Four                          |

#### Volume per impulse

|                     |          |
|---------------------|----------|
| Eccentric worm Ø 21 | 0,0075 l |
| Eccentric worm Ø 26 | 0,0125 l |

#### Material

|         |                       |
|---------|-----------------------|
| Housing | Stainless steel (304) |
|---------|-----------------------|

#### Part numbers

|             |               |
|-------------|---------------|
| For F 550 S | 10-550 25 555 |
| For F 560 S | 10-560 28 291 |

#### Reed-sensor

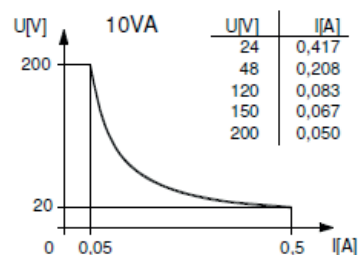
##### Electrical datas

|                         |             |
|-------------------------|-------------|
| Operation               | Reed        |
| Switching element       | normal open |
| Max. switching capacity | 10 VA       |
| Max. switching current  | 0,5 A       |
| Max. carrying current   | 1,2 A       |
| Max. switching voltage  | 200 V       |
| Max. contact resistance | 0,1 Ω       |
| Pull-in range           | 12 - 18 AT  |

##### Thermal datas

|  |                |
|--|----------------|
| Operating temperature (flexing)            | -25°C to +70°C |
| Operating temperature (fixed installation) | -5°C to +70°C  |

#### Performance chart



# Technical data sheet

## Bearing flange with impulse generator

Pulse transmission possible to:

### Electronic analysis unit FLUXTRONIC®



- ▶ For wall mounting
- ▶ Medium calibration possible
- ▶ Display of transferred quantity (normal mode)
- ▶ With switching amplifiers batch filling possible (automatic mode)

#### Part numbers

|   |               |
|---|---------------|
| FLUXTRONIC® for wall mounting                     | 10-001 42 113 |
| Switching amplifier FSV 100                       | 10-001 49 040 |
| Power supply cable for FSV 100; 5 m long          | 10-934 08 037 |
| Connecting cable FSV 100/motor; 0,5 m long        | 10-934 08 035 |
| Connection cable FSV 100/magnetic valve, 5 m long | 10-934 08 036 |

### Control unit (with integrated SPS)



- ▶ E.g. for use with VISCOFLUX mobile
- ▶ With integrated FLUXTRONIC® possible (for medium calibration and display of transferred quantity possible)
- ▶ Speed regulation possible
- ▶ Also for pumps with left/right operation

#### Part numbers

|  |               |
|--|---------------|
| Without speed setting, without FLUXTRONIC® | 10-936 13 006 |
| Without speed setting, with FLUXTRONIC®    | 10-936 13 007 |
| With speed setting, without FLUXTRONIC®    | 10-936 13 008 |
| With speed setting, with FLUXTRONIC®       | 10-936 13 009 |

### Existing control e.g. SPS



- ▶ For external control
- ▶ Can be networked with other IT systems
- ▶ For complex applications
- ▶ Use of existing control systems possible

**FLUX-GERÄTE GMBH**

Talweg 12 · D-75433 Maulbronn

Tel +49 (0)7043 101-0 · Fax +49 (0)7043 101-444

info@flux-pumpen.de · www.flux-pumps.com