

IBC-Mixer-Sets*

For Fluids with a viscosity up to 12 000 mPas



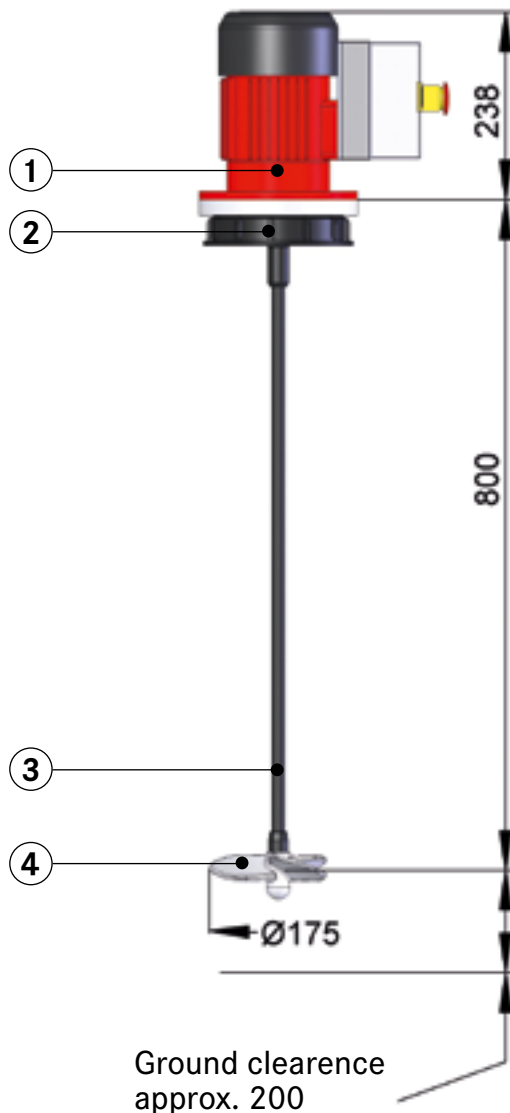
*For Standard 1 000 L IBC

IBC Mixer EHM 0.55/6-Mo

For viscosity up to approx. 1 500 mPas



Dimensions (mm)



For viscosity up to approx. 1 500 mPas

Circulation rate

Circulation rate approx. 2.6 m³/ min based on water

Weight

Assembly set Pos. 1 to 4 ~ 13 kg

Part No. 10-P0000001

Individual components

1 Motor BG80

Rated output	0.55 kW
Power supply	3~Phase, 50 Hz
Rated voltage	3 x 400 Volt
Current at rated voltage	Approx. 1.8 Amp.
Degree of protection	IP 55, Isol.-class. F
Efficiency class	IE1, efficiency 67 %
Rated speed	1 000 rpm
Type	V1 - Flange-Ø 200 mm
Motor protection switch	IP 55, with on/off switch
Emergency stop	For build up on motor switch
Connector cable	PUR-cable, 5 m long
Connector Plug	CEE16 with phase changing switch

Part No. 10-P7190552

2 IBC-Cap

Incl. radial shaft seal PTFE	
IBC-Cap with Flange DN150	Part No. 10-P9010212

3 Mixer shaft EHM BG80 PE

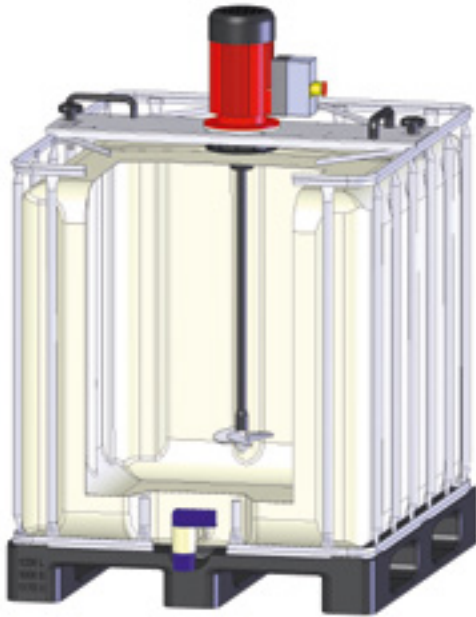
Material: Steel / PE-coating	
L 800 mm	Part No. 10-P2190800

4 Mixer blade DRK 175

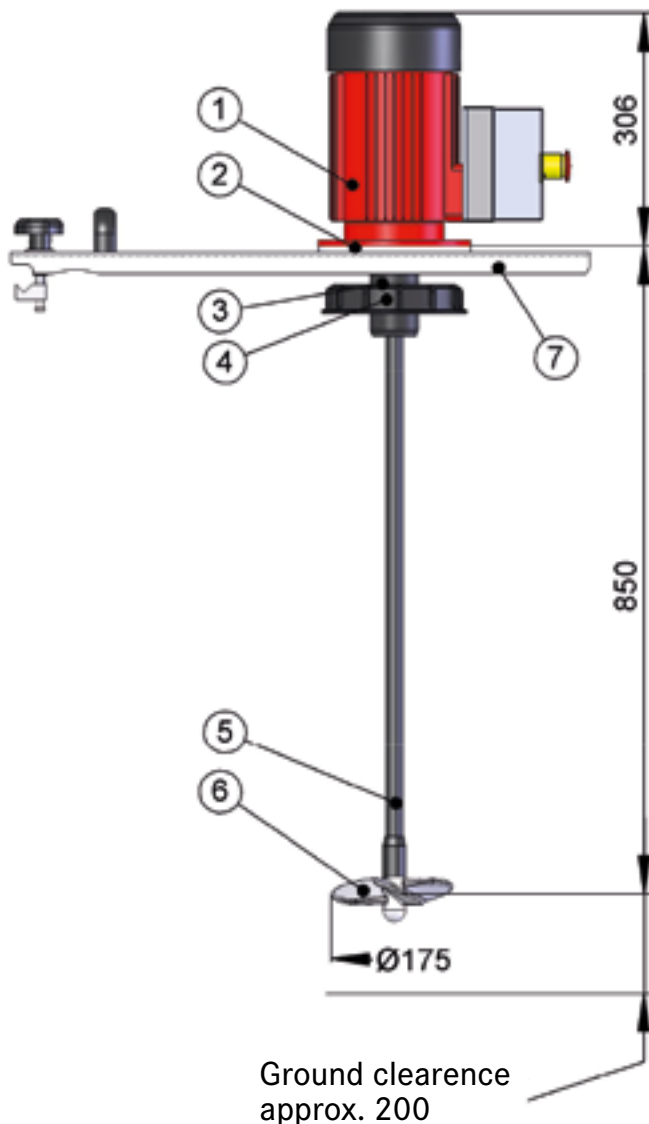
Ø 175 / 3 blade	
PP-GFV	Part No. 10-P6660175

IBC Mixer EHM 0.75/6-RT

For viscosity up to approx. 2 000 mPas



Dimensions (mm)



Ground clearance
approx. 200

For viscosity up to approx. 2 000 mPas

Circulation rate

Circulation rate approx. 2.6 m³/ min based on water

Weight

Assembly set Pos. 1 to 7 ~31.5 kg

Part No. 10-P0000003

Individual components

1 Motor BG90

Rated output	0.75 kW
Power supply	3~Phase, 50 Hz
Rated voltage	3 x 400 Volt
Current at rated voltage	Approx. 2.0 Amp.
Degree of protection	IP 55, Isol.-class. F
Efficiency class	IE3, efficiency 78.9 %
Rated speed	1 000 rpm
Type	V1 – Flange-Ø 200 mm
Motor protection switch (with on-/off-button)	On base plate on the side instead of terminal box
Connector cable	PUR-cable, 5 m long
Connector plug	CEE16, 400 V/16 A/3P+N+E with phase changing switch

Part No. 10-P7240752

2 Sealing flange EHM BG90

M58x2	
Material: PP	Part No. 10-P9020694

3 Radial shaft seal BG90

Material: PTFE	Part No. 10-P9020090
----------------	-----------------------------

4 Protective tube IBC M58x2

Length 110 x Ø 63 mm	
Material: PE	Part No. 10-P0004690

4 IBC-Cap DN150 protective tube

Material: PE	Part No. 10-P0004694
--------------	-----------------------------

5 Mixer shaft EHM BG80 PE

Material: Steel / PE-coating	
L 850 mm	Part No. 10-P2240850

6 Mixer blade DRK 175

Ø175 / 3 blades	
Material: PP-GFV	Part No. 10-P6660175

7 IBC-Traverse

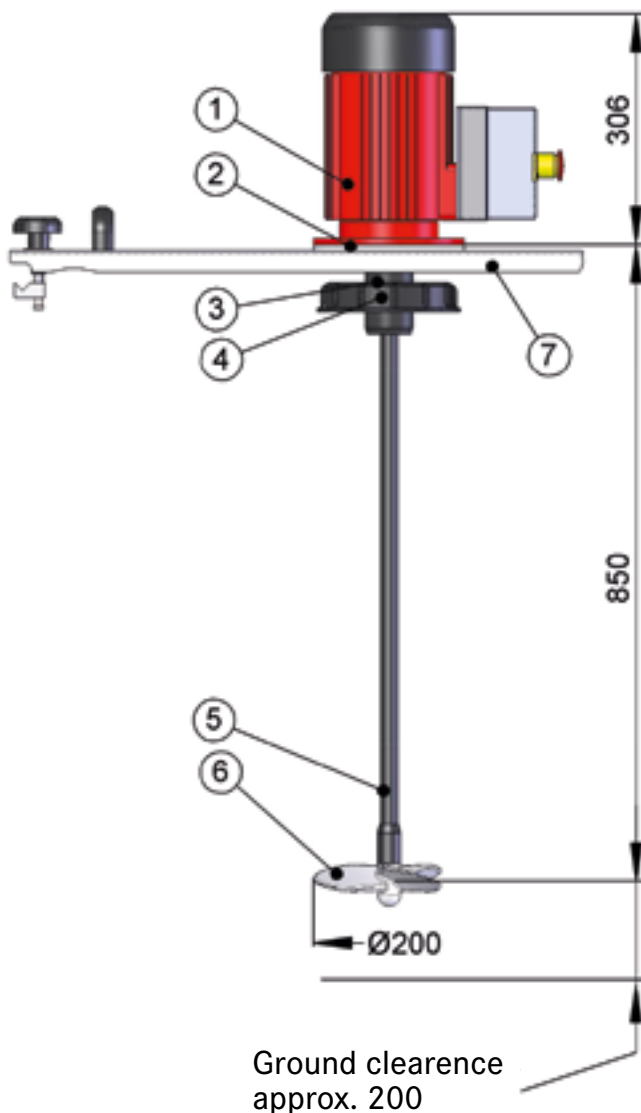
Fully assembled	Part No. 10-P9010222
-----------------	-----------------------------

IBC Mixer EHM 1.1/6-RT

For viscosity up to approx. 2 500 mPas



Dimensions (mm)



Ground clearance
approx. 200

For viscosity up to approx. 2 500 mPas

Circulation rate

Circulation rate approx. 3.8 m³/ min based on water

Weight

Assembly set Pos. 1 to 7 ~ 34 kg

Part No. 10-P0000004

Individual components

1 Motor BG90

Rated output	1.1 kW
Power supply	3~Phase, 50 Hz
Rated voltage	3 x 400 Volt
Current at rated voltage	Approx. 2.7 Amp.
Degree of protection	IP 55, Isol.-class. F
Efficiency	IE3, efficiency 81 %
Rated speed	1 000 rpm
Type	V1 – Flange-Ø 200 mm
Motor protection switch (with on-/off-button)	On base plate on the side instead of terminal box
Connector cable	PUR-cable, 5 m long, 4 x 1.5 mm ²
Connector plug	CEE16, 400 V/16 A/3P+N+E with phase changing switch

Part No. 10-P7241102

2 Sealing flange EHM BG90

M58x2	
Material: PP	Part No. 10-P9020694

2 Radial shaft seal BG90

Material: PTFE	Part No. 10-P9020090
----------------	-----------------------------

3 Protective tube IBC M58x2

Length 110 x Ø 63 mm	
Material: PE	Part No. 10-P0004690

4 IBC-Cap DN150 protective tube

Material: PE	Part No. 10-P0004694
--------------	-----------------------------

5 Mixer shaft EHM BG90 PE

Material: Steel / PE-coating	
L 850 mm	Part No. 10-P2240850

6 Mixer blade DRK 200

Ø 200 / 3 blades	
Material: PP-GFV	Part No. 10-P6660200

7 IBC-Traverse

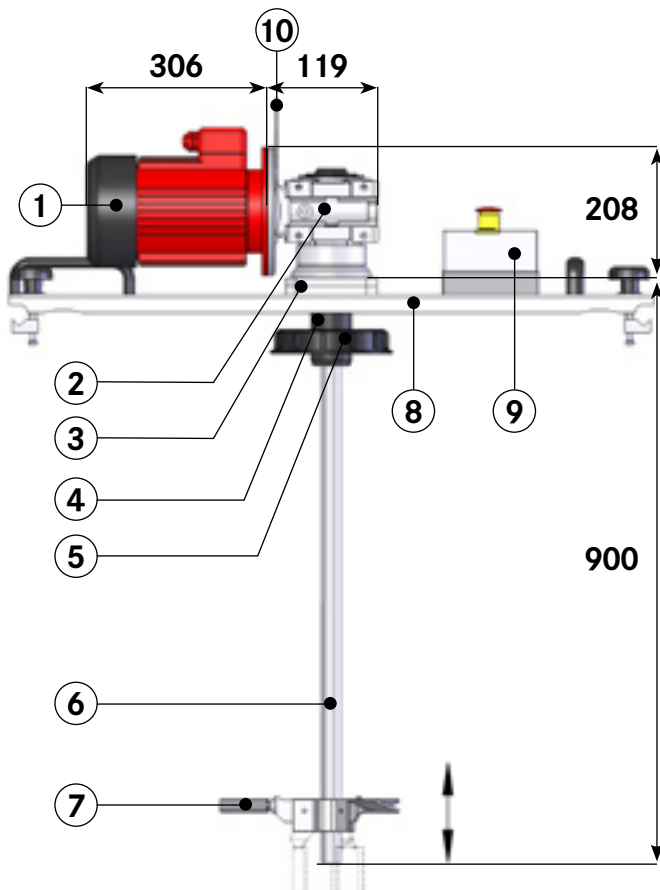
Fully assembled	Part No. 10-P9010222
-----------------	-----------------------------

IBC Mixer ESM 0.75/133-RT

For viscosity up to approx. 6 000 mPas



Dimensions (mm)



For viscosity up to approx. 6 000 mPas

Weight

Assembly set Pos. 1 to 10 ~ 40 kg

Part No. 10-P0000005

Individual components

1 Motor BG90

Rated output	0.75 kW (IE3)
Power supply	3~Phase, 50 Hz ; 60 Hz
Rated voltage	/\ 230 V, Y380-400 V ; Y460-480 V
Current at rated voltage	/\ ~3.50 A, Y~2.00 A ; Y~2.00 A
Degree of protection	IP 55 (PTC-Sensor) / Isol.-class F
Rated speed	1 000 rpm ; 1 200 rpm
Part No. 10-P3240752	

2 Gear ESG63

Gear ratio	i = 7
Gearbox speed	133 rpm
Torque	~ 40 Nm
Part No. 10-P5063007	

3 Sealing flange ESG63 PP M58x2

With connecting thread M58x2 **Part No. 10-P9020051**

3 Radial shaft seal ESG63

Material: PTFE **Part No. 10-P9020003**

4 Protective tube IBC M58x2

Material: PE Length 110 mm **Part No. 10-P0004690**

5 IBC-Cap DN150 protective tube

Material: PE **Part No. 10-P0004694**

6 Mixer shaft ESG63

Ø 50 x 30 Material: Stainless steel 1.4435
L 900 mm **Part No. 10-P0630903**

7 Folding blade KLR3

Ø 400/ 3 blades **Part No. 10-P6370407**
Material: 1.4571 (Stainless steel)

8 IBC-Traverse

Fully assembled
RT 1000 **Part No. 10-P9010222**

9 Motor protection switch

Motor protection switch with emergency stop button,
5 m PUR-cable 4-core with CEE- plug assembled on traverse
Part No. 10-P9335051

10 IBC-Suspension lug

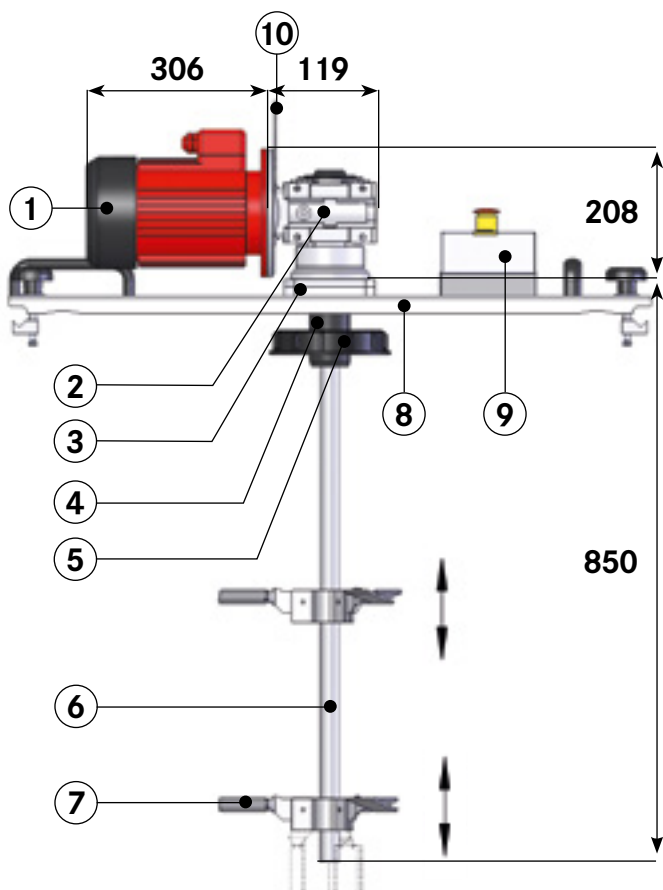
For Gear ESG63 **Part No. 10-5P0004625**

IBC Mixer ESM 1.5/70-RT

For viscosity up to approx. 12 000 mPas



Dimensions (mm)



For viscosity up to approx. 12 000 mPas

Weight

Assembly det Pos. 1 to 10	~ 44 kg
Part No. 10-P0000002	

Individual components

1 Motor BG90

Rated output	1.5 kW (IE3)
Power supply	3~Phase, 50 Hz ; 60 Hz
Rated voltage	/\ 230 V, Y380-400 V ; Y460-480 V
Current at rated voltage	/\ ~5.80 A, Y~3.30 A ; Y~3.30 A
Degree of protection	IP 55 (PTC-Sensor) / Isol.-class F
Rated speed	1 500 rpm ; 1 800 rpm
Part No. 10-P3241503	

2 Gear ESG63

Gear ratio	i = 19
Gearbox speed	70 rpm
Torque	~ 150 Nm
Part No. 10-P5063020	

3 Sealing flange ESG63 PP M58x2

With connecting thread M58x2	Part No. 10-P9020051
------------------------------	-----------------------------

3 Radial shaft seal ESG63

Material: PTFE	Part No. 10-P9020003
----------------	-----------------------------

4 Protective tube IBC M58x2

Material: PE	
Length 110 mm	Part No. 10-P0004690

5 IBC-Cap DN150 protective tube

Material: PE	Part No. 10-P0004694
--------------	-----------------------------

6 Mixer shaft ESG63

Ø 50 x 30 Material: Stainless steel 1.4435	
L 900 mm	Part No. 10-P0630903

7 Folding blade KLR3

Ø 400/ 3 blades	Part No. 10-P6370407
Material: 1.4571 (Stainless steel)	

8 IBC-Traverse

Fully assembled	
RT 1000	Part No. 10-P9010222

9 Motor protection switch

Motor protection switch with emergency stop button, 5 m PUR-cable 4-core with CEE- plug assembled on traverse	
Part No. 10-P9335051	

10 IBC-Suspension lug

For Gear ESG 63	Part No. 10-P0004625
-----------------	-----------------------------

A mixer for every application



You need a mixer for a special application? Contact us!

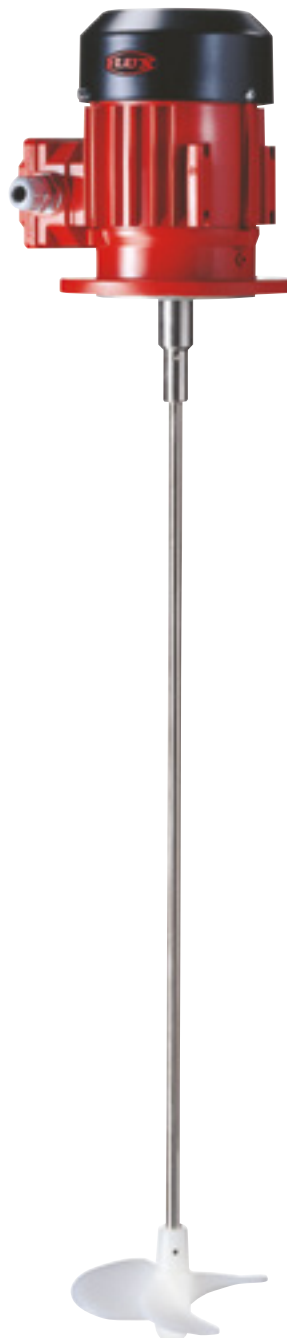
In addition to our standard mixer sets, we offer a wide range of customized mixer sets for your specific medium and container.

Send your request to:

export@flux-pumpen.de

or call us at:

Tel +49 7043-101 0





The FLUX product range



Drum pumps and container pumps



Progressive cavity pumps



Drum emptying systems



Centrifugal immersion pumps



Air-operated diaphragm pumps



Flow meters



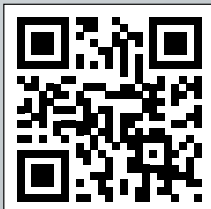
Mixers



Magnetically Centrifugal Pumps & Filters



Filling and dosing solutions



Quick and easy way to the right pump for your requirements.

FLUX-GERÄTE GMBH

Process Pumps & Systems

August-Horch-Straße 2 · D-51149 Köln

Tel. +49 2203 9394-0 · Fax +49 2203 9394-48

info-process@flux-pumpen.de · www.flux-pumps.com