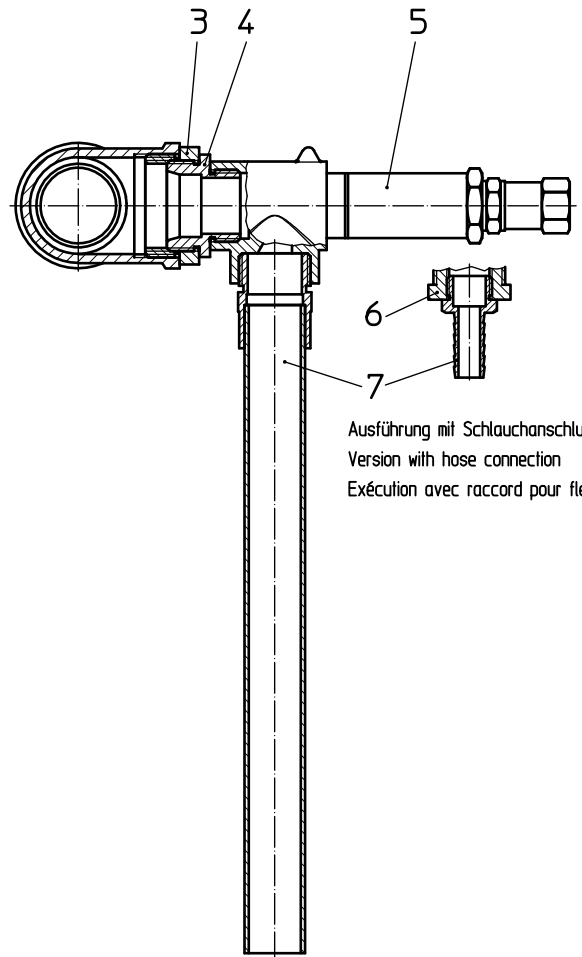
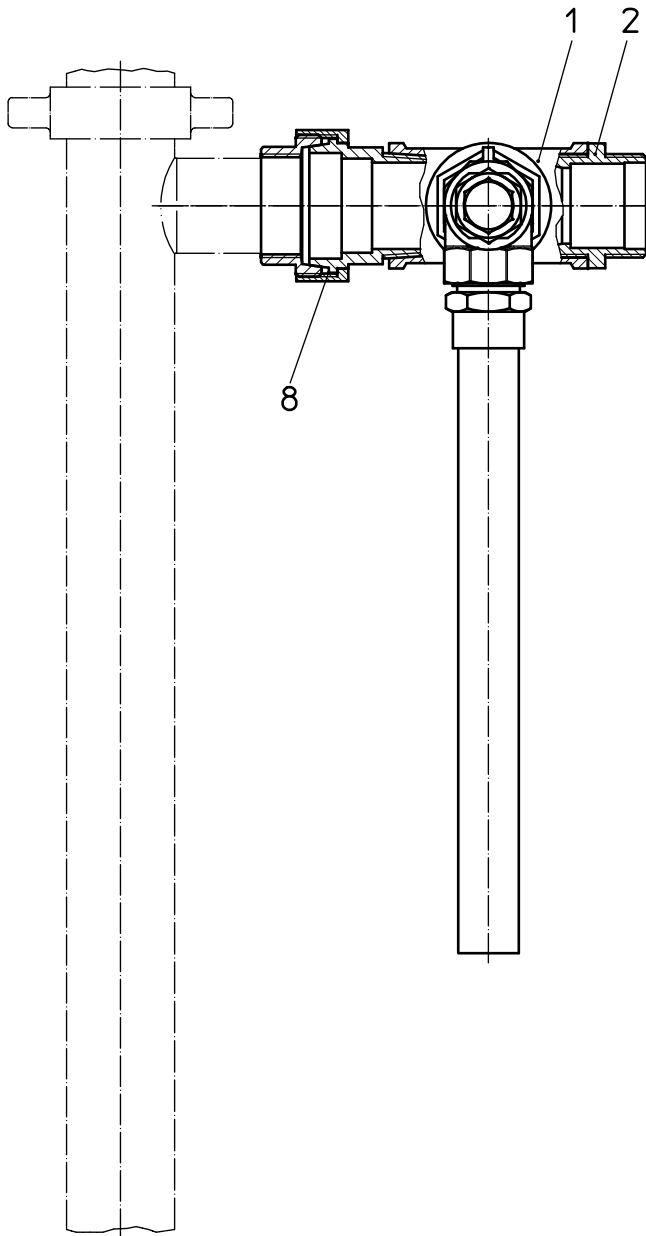




Überströmventil MS
By-pass valve MS
Dispositif by-pass MS



Ausführung mit Schlauchanschluss
Version with hose connection
Exécution avec raccord pour flexible

Ausführung mit Rückflussrohr
Version with flow back tube
Exécution avec tube de décharge



Item No.	Qty. per unit	Description	Part No.	Part No.
		Version according to sectional view No.001 18 044 – 06/2008		
1	1	T-Piece	001 18 034	
2	1	Double nipple	001 18 035	
3	1	Reducing piece	001 18 037	
4	1	Double nipple	001 18 036	
5	1	By-pass valve	001 18 033	
6	1	Reducing piece (only for version with hose connector DN 19)	959 06 193	
7	1	Flow back tube l = 300 <i>optional</i>	001 18 038	
	1	Hose connector DN 19 <i>optional</i>	959 05 228	
		Hose connector DN 25	959 05 052	
8	1	Threaded connection	959 06 184	

Attention: Please always give full description, part no. and quantity of parts required.