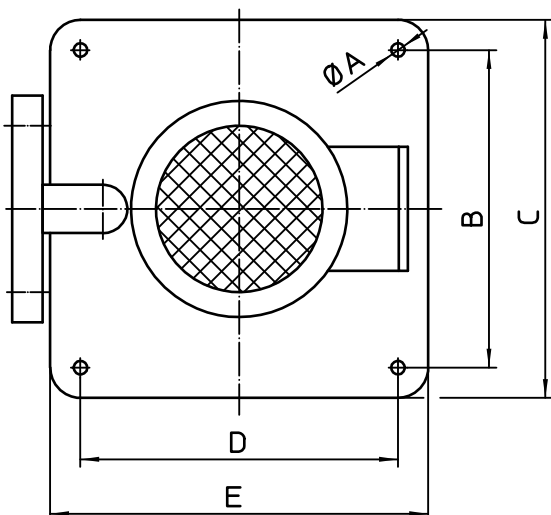
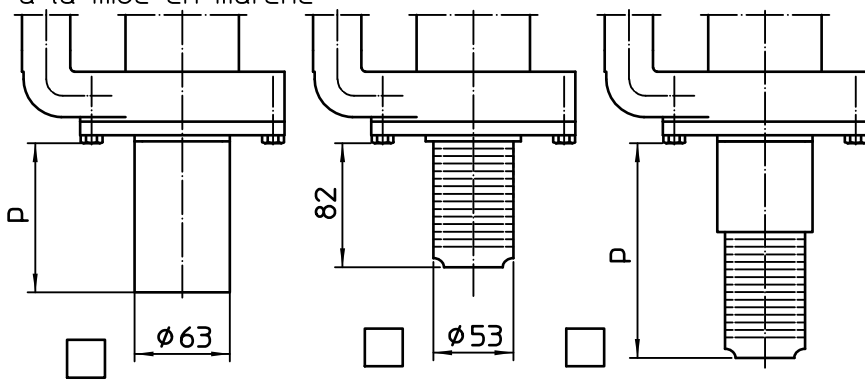


PN=
DN=
AØ=
LK=
Bohrung: Bores: Trous: xØ

Motor Moteur		kW
n=		min ⁻¹
x=		mm
Øy=		mm
z=		mm
e=		mm
p=		mm
a=		mm
b=		mm
ØA=		mm
B=		mm
C=		mm
D=		mm
E=		mm



Einbaumaße:
 Mounting dimensions:
 Dimensions de montage:

